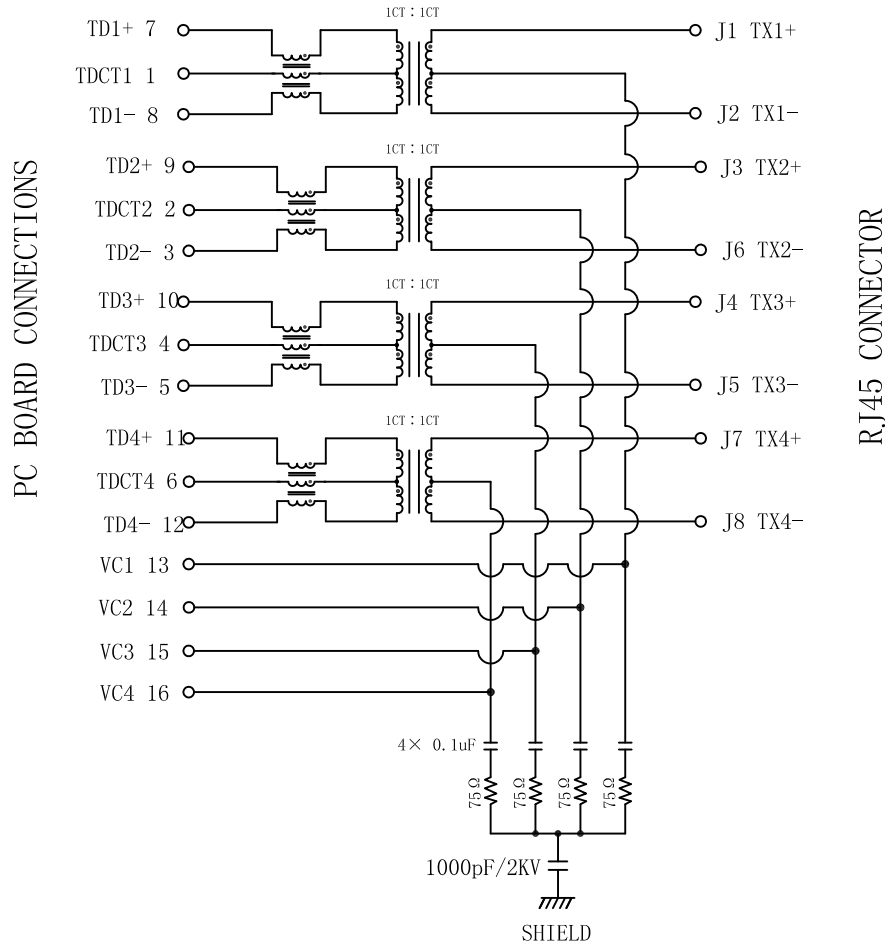


Schematic:

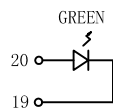
REV.	ECN NO.	DESCRIPTION	DATE	APPD
A	REL		2020-12-03	



ELECTRICAL SPECIFICATIONS @25°C

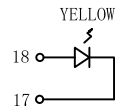
- Turn Ratio ($\pm 2\%$):
Pri:Sec = 1CT:1CT
- Inductance OCL:
180uH MIN @ 100KHz 0.1V
- Insertion Loss:
-1.0dB MAX @ 1-125MHz
- Return Loss:
-16dB MIN @ 1-40MHz
-16+10LOG₁₀(f/40MHz) dB MIN @ 40-250MHz
- Cross talk:
-30dB TYP @ 1-125MHz
- Common Mode Rejection Ratio:
-30dB MIN @ 30-200MHz
- Balance DC Line current:
1.0A MAX, @57VDC Continuous;
- Hipot Test: 1500Vrms
- Operating Temperature Range: -40°C to +85°C.

Emitting Color	λ_p (nm)	V _F @I _F =20mA	I _R @V _R =5V
GREEN	565	1.8~2.6V	10 μA max
YELLOW	585	1.8~2.6V	10 μA max



LEFT LED

LED POLARITY		COLOR
PIN 20	PIN 19	GREEN
+	-	



RIGHT LED

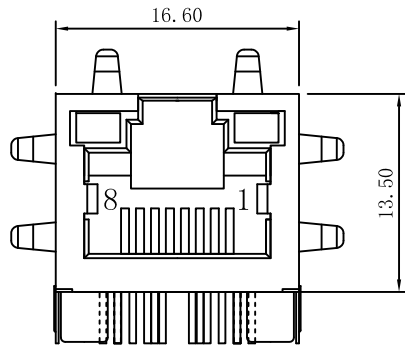
LED POLARITY		COLOR
PIN 18	PIN 17	YELLOW
+	-	



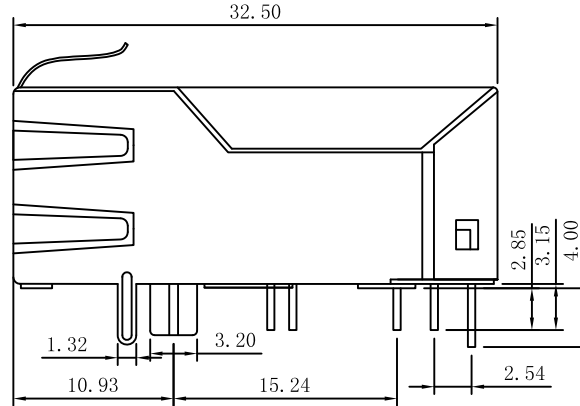
X:X ±0.30	APPD:	LINK-PP INT'L TECHNOLOGY CO., LIMITED
X:XX ±0.25	CHKD:	
X:XXX ±0.05	DR: SEA	TITLE: RJ45 Connector with 5G Base-T Integrated Magnetics For PoE++ Application
ANGLES ±1°	UNIT: mm	PART NO.: LPJK9499-8AHNL
	SCALE: 2/1	SHEET: 1/2
	REV: A	DWG NO.: LP20120302

Mechanical :

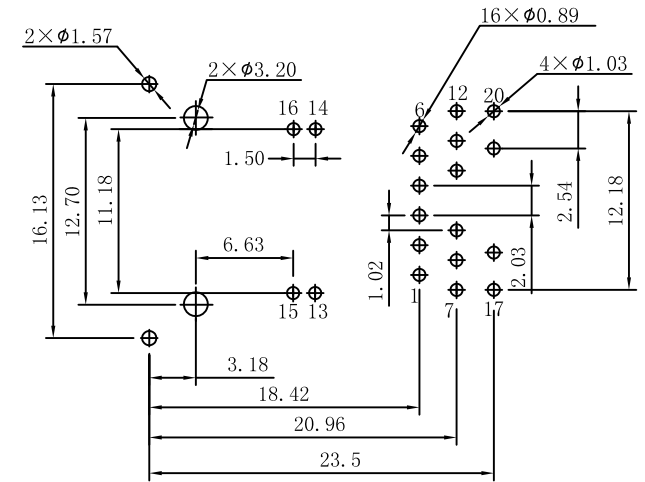
REV.	ECN NO.	DESCRIPTION	DATE	APPD
A	REL		2020-12-03	



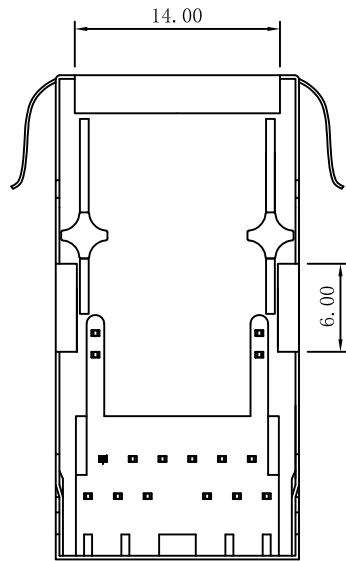
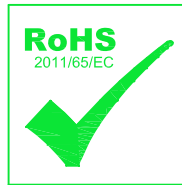
Front Side View



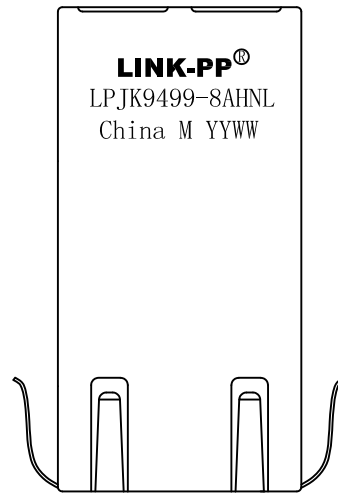
Left Side View



Suggested PCB Layout (Top View)



Bottom Side View



Top Side View

NOTES:

1. Designed to support application, such as SOHO (ADSL modems), LAN-on-Motherboard (LOM), hub and Switches.
2. Meets IEEE 802.3bt specification
3. Connector Materials:
Housing: Thermoplastic UL94V-0
Contact/Shield: Copper alloy
Shield plating: Nickel
Contact plating: Gold 30U". In contact area.
4. Wave solder tip temperature: 265°C Max, 5 Sec.
5. UL Certification: File Number E484635.

X:X ±0.30	APPD:	LINK-PP INT'L TECHNOLOGY CO., LIMITED
X:XX ±0.25	CHKD:	
X:XXX ±0.05	DR: SEA	TITLE: RJ45 Connector with 5G Base-T Integrated Magnetics For PoE++ Application
ANGLES ±1°	UNIT: mm	PART NO.: LPJK9499-8AHNL
	SCALE: 2/1	SHEET: 2/2
	REV: A	DWG NO.: LP20120302